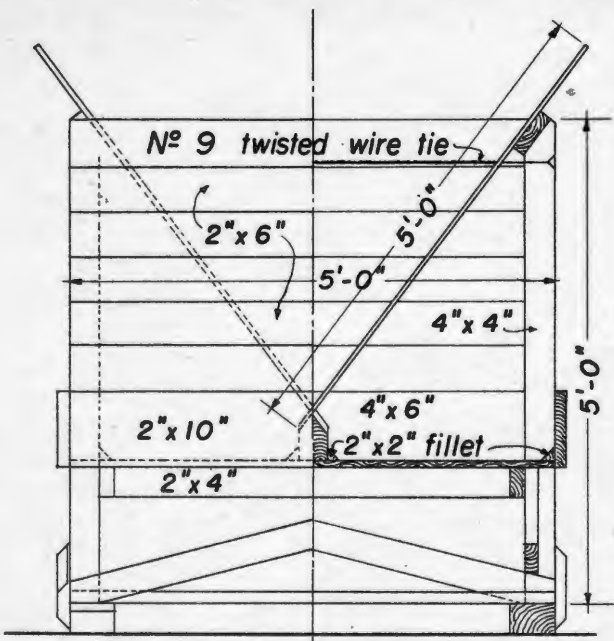
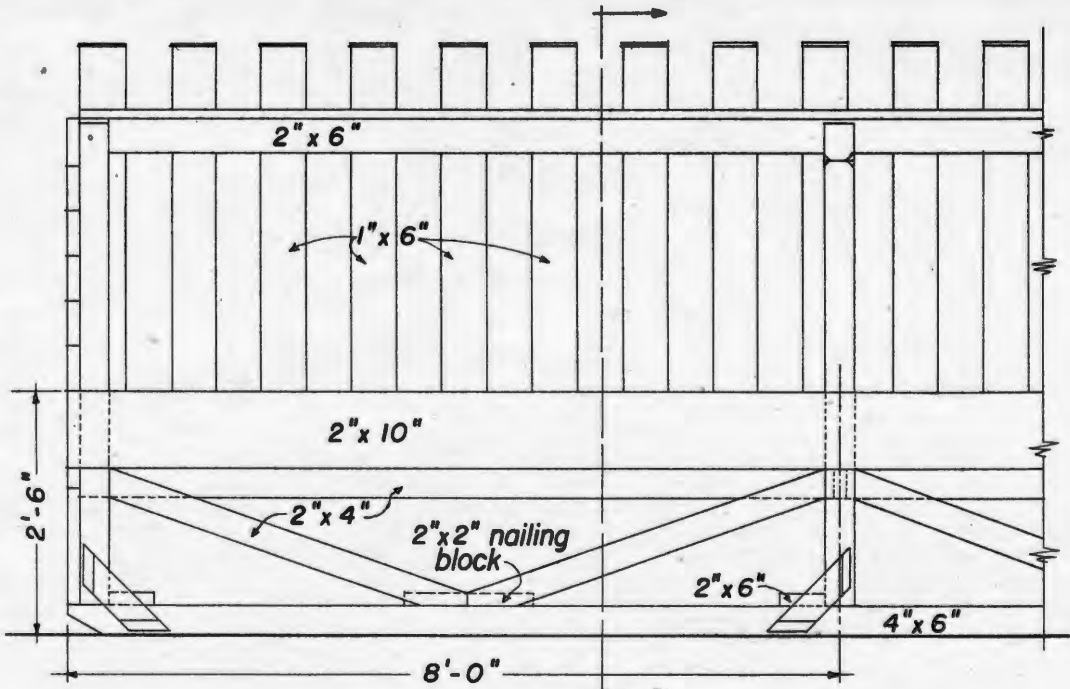


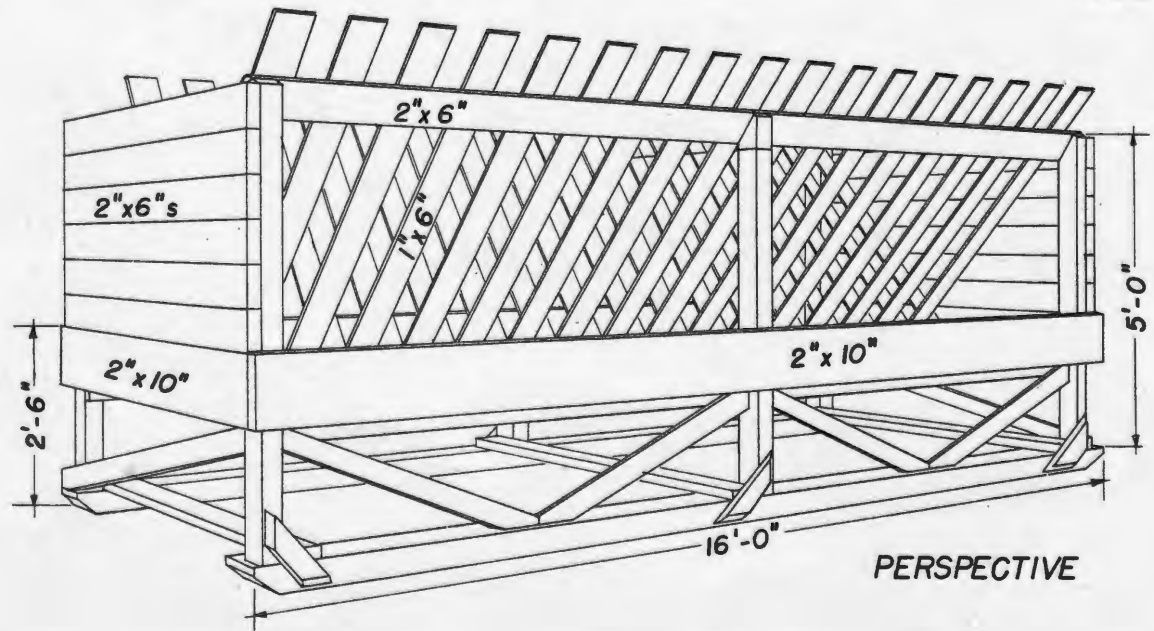
275.27  
W 27 mi Cop. 2



CROSS SECTION



SIDE



PERSPECTIVE

HAY-FEED RACK		FILE NO.	270
Ext. Mimeo. 1705		DATE	9-9-55
AGRICULTURAL EXTENSION SERVICE THE STATE COLLEGE OF WASHINGTON PULLMAN, WASHINGTON		DRAWN BY	M.E.H.
		SHEET	1 OF 1